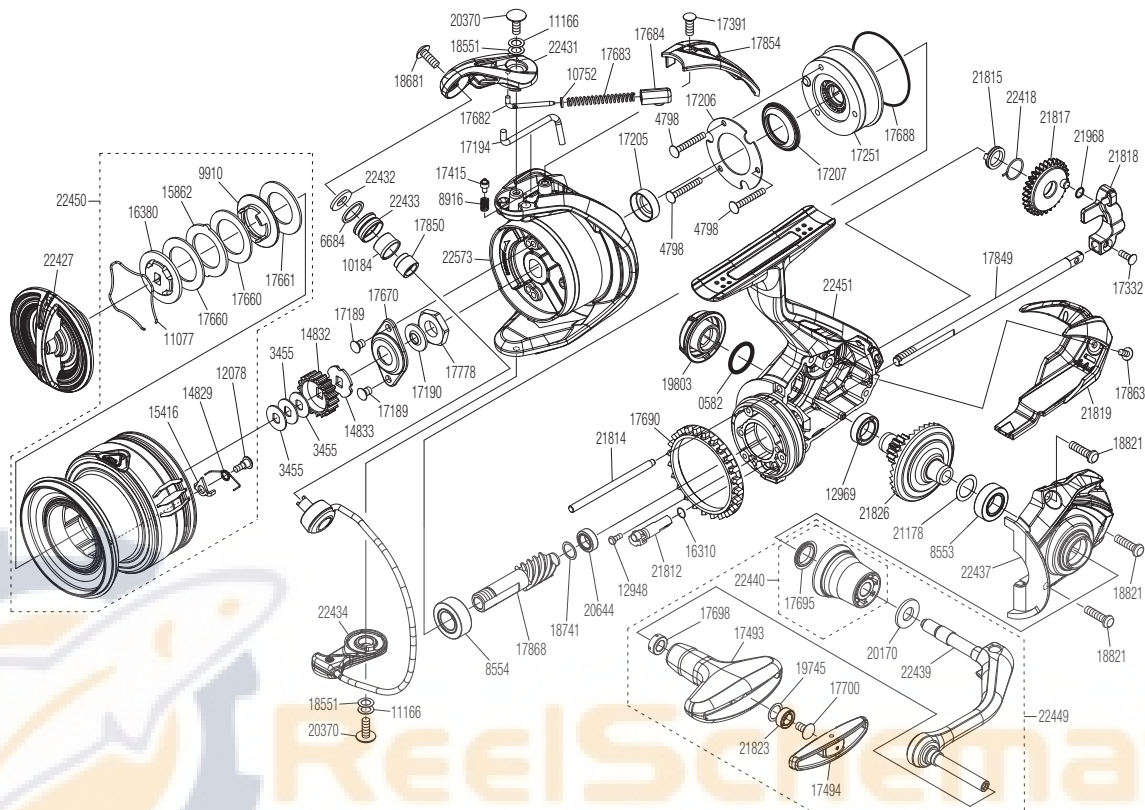


# SHIMANO

## MIRAVEL

## MV-C3000HG



Please note that the number of adjusting washers may not always be the same as shown in the exploded view.

(51SF63AE36X)

Please note that your actions take full responsibility when you take it apart.

| Part No. | Description                | Part No. | Description          | Part No. | Description                 |
|----------|----------------------------|----------|----------------------|----------|-----------------------------|
| RD 0582  | O Ring                     | RD17391  | Screw                | RD21178  | Washer                      |
| RD 3455  | Spool Washer               | RD17415  | Click Pin            | RD21812  | Anti Reverse Cam            |
| RD 4798  | Screw                      | RD17493  | Handle Knob          | RD21814  | Oscillating Guide           |
| RD 6684  | Spacer                     | RD17494  | Handle Knob Seal     | RD21815  | Bushing                     |
| RD 8553  | Ball Bearing               | RD17660  | Drag Washer A        | RD21817  | Oscillating Gear            |
| RD 8554  | Ball Bearing               | RD17661  | Drag Washer B        | RD21818  | Oscillating Slider          |
| RD 8916  | Click Spring               | RD17670  | Rotor Nut Lock Plate | RD21819  | Rear Protector              |
| RD 9910  | Key Washer                 | RD17682  | Bail Spring Guide A  | RD21823  | Ball Bearing                |
| RD10184  | Bushing                    | RD17683  | Bail Spring          | RD21826  | Drive Gear                  |
| RD10752  | Bail Spring Guide A Collar | RD17684  | Bail Spring Guide B  | RD21968  | O Ring                      |
| RD11077  | Retainer                   | RD17688  | O Ring               | RD22418  | Bushing Spring              |
| RD11166  | Spacer                     | RD17690  | Friction Ring        | RD22427  | Drag Knob Assembly          |
| RD12078  | Screw                      | RD17695  | Handle Shaft Seal    | RD22431  | Bail Arm                    |
| RD12948  | Screw                      | RD17698  | Bushing              | RD22432  | Washer                      |
| RD12969  | Ball Bearing               | RD17700  | Screw                | RD22433  | Line Roller                 |
| RD14829  | Drag Click Spring          | RD17778  | Rotor Nut            | RD22434  | Bail Assembly               |
| RD14832  | Spool Support A            | RD17849  | Main Shaft           | RD22437  | Side Cover                  |
| RD14833  | Spool Support B            | RD17850  | Collar               | RD22439  | Handle Shank Assembly       |
| RD15416  | Drag Click                 | RD17854  | Bail Spring Cover    | RD22440  | Handle Shaft Cover Assembly |
| RD15862  | Eared Washer               | RD17863  | Screw                | RD22449  | Handle Assembly             |
| RD16310  | O Ring                     | RD17868  | Pinion Gear          | RD22450  | Spool Assembly              |
| RD16380  | Key Washer B               | RD18551  | Washer               | RD22451  | Body Assembly               |
| RD17189  | Screw                      | RD18681  | Screw                | RD22573  | Rotor                       |
| RD17190  | Bearing Water Proof        | RD18741  | Washer               |          |                             |
| RD17194  | Bail Trip Lever            | RD18821  | Screw                |          |                             |
| RD17205  | Rotor Ring                 | RD19745  | Washer               |          |                             |
| RD17206  | Roller Clutch Reinforce    | RD19803  | Handle Screw Cap     |          |                             |
| RD17207  | Roller Clutch Water Proof  | RD20170  | Washer               |          |                             |
| RD17251  | Roller Clutch Assembly     | RD20370  | Screw                |          |                             |
| RD17332  | Screw                      | RD20644  | Ball Bearing         |          |                             |